

Facility Specifications

for SimpleCoat Series

Conformal Coating Systems

Revision notes

Date	Version	Notes
08/12/2020	1.0	Original issue.
12/07/2020	2.0	Add content for model: SimpleCoat TR Large

General specifications

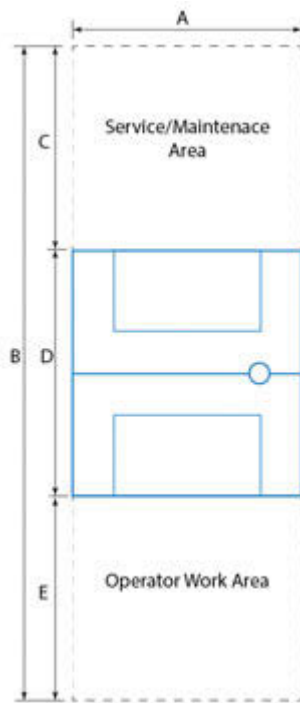
Specification	Conformal Coating System <i>SimpleCoat</i>	Tilt & Rotate Coating System <i>SimpleCoat TR</i>	Tilt & Rotate Coating System <i>SimpleCoat TR Large</i>
Footprint W x D x H	1.0 m x 1.40 m x 1.55 m (39.37" x 55.12" x 61.02")		1.26 m x 1.35 m x 1.54 m (49.5" x 53" x 60.5")
Conveyor height Transport height	940 - 965 mm (37"-38")		
Weight	Weight, approximate	275 kg (605 lbs)	432 kg (953 lbs)
	Crated weight, approx.	475 kg (1,047 lbs)	625 kg (1,378 lbs)
Power	Voltage ‡	100-240 VAC ‡, 50/60 Hz, Single Phase	
	Current rating	10 Amps	
Air pressure	Dry, clean air	6 bar (87 psi). Included: Quick disconnect for 8 mm hose	
Ventilation	Exhaust port diameter	127 mm (5")	
	Exhaust flow rate	250 CFM minimum	
	Air exchange area (XYZ)	Call GPD	800 x 800 x 900 mm (31.5" x 31.5" x 35.4")
Communications	Communication cable	Standard Ethernet connection	
	External input	SMEMA compatible	
Environmental	Working temperature	4° C - 41° C (39-105° F)	
	Working relative humidity	Operate system at low humidity so no condensation forms on system.	

* Work area accessible to two (2) valves

‡ Plug: 125V unit uses 4.5m (15') cable w/NEMA 5-15P plug. 240V unit requires special request at time of order or non-terminated cable

Clearance dimensions

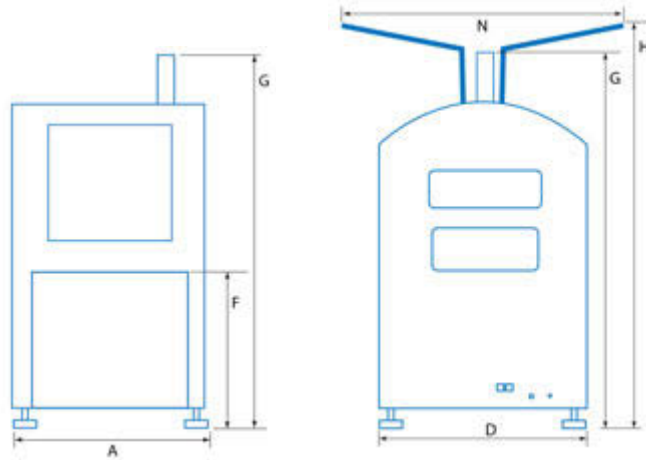
Figure 1: Top view



	SimpleCoat & SimpleCoat TR		SimpleCoat TR Large	
A	100 cm	(40")	126 cm	(50")
B	322 cm	(127")	235 cm	(93")
C	91 cm	(36")	91 cm	(36")
D	140 cm	(55")	135 cm	(53")
E	91 cm	(36")	91 cm	(36")

Dimension details

Figure 2: Rear panel and left side panel with safety shields raised

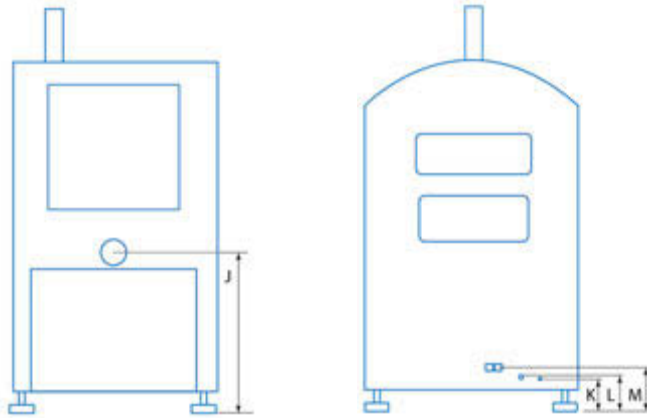


	SimpleCoat & SimpleCoat TR		SimpleCoat TR Large	
A	102 cm	(40")	126 cm	(50")
D	109 cm	(43")	135 cm	(53")
F	72 cm	(28.5")	72 cm	(28.5")
G	188 cm	(74")	173 cm	(68")
H	203 cm	(80")	208 cm	(82")
N	157 cm	(62")	183 cm	(72")

NOTE: All vertical dimensions can be adjusted (together) ±5.08 cm (2.00").

Connection locations

Figure 3: Rear panel and left side panel



**SimpleCoat,
SimpleCoat TR,
& SimpleCoat TR Large**

J	68.5 cm	(27")	Ventilation exhaust port
K	18 cm	(7")	Air port
L	22 cm	(8.75")	Power port
M	26 cm	(10.25")	SMEMA ports

NOTE: All vertical dimensions can be adjusted (together) ± 5.08 cm (2.00").